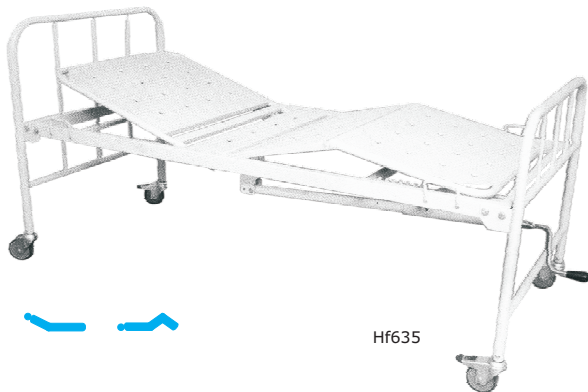


FWLER BED STANDARD

HF635



- > Size 206L x 90W x 60Hcm
- > Frame work made of strong & precise steel tubes. Epoxy Powder Coated Finish.
- > 4 Section Top made of perforated CRCA Sheet with mattress guards.
- > Back Rest and Knee Rest Positions manoeuvred by Separate screw from Foot End.
- > Tubular head and foot bows of unequal height with vertical tube supports.
- > Provision for four saline locations.
- > Bed Mounted on 100mm Dia Castor – two with brakes.
- > Knockdown Construction.

Hf635

FWLER BED DELUXE

HF637

Specifications/Details :

- > Size: 206L x 90W x 60H cms.
- > Frame work made of Rectangular M.S. Tube
- > 4 Section Top made of perforated M.S. Sheet. Epoxy Powder Coated Finish.
- > Back Rest, Knee Rest Positions manoeuvred by Separate screw from Foot End.
- > Detachable S.S. Head and Foot Bows fitted with laminated panels
- > Telescopic IV Rod with four Locations.
- > Bed Mounted on 100mm Dia Castor- two with brakes.
- > Knockdown Construction.



Hf637

SEMI-FOWLER BED (General)

HF362

Specifications/Details :

- > Size: 206L x 90W x 60H cms.
- > Frame work made of Rectangular M.S. Tube. Epoxy Powder Coated Finish.
- > 2 Section Top made of perforated CRCA Sheet with mattress guards.
- > Back Rest Section, manoeuvred by Screw Handle from Foot End
- > Tubular head and foot bows of unequal height.
- > Provision for four saline locations.
- > Legs fitted with PVC Stumps
- > Knockdown Construction.

HF361 : Specifications same as HF362 but, with 10cm dia heavy duty castors (2 with brakes).



HF362

SEMI-FOWLER BED (Deluxe)

HF347

Specifications/Details :

- > Size: 206L x 90W x 60H cms.
- > Frame work made of Rectangular M.S. Tube
- > 2 Section Top made of perforated M.S. Sheet. Epoxy Powder Coated Finish.
- > Back Rest Section, manoeuvred by Screw Handle from Foot End
- > Detachable S.S. Head and Foot Bows fitted with laminated panels
- > Provision for four saline locations.
- > Legs fitted with PVC Stumps
- > Knockdown Construction.



HF347

HF345 : Specifications same as HF347 but, with 10cm dia heavy duty castors (2 with brakes).

HOSPITAL PLAIN BED (Standard)

HF640

Specifications/Details :

- > Size: 206L x 90W x 60H cms.
- > Frame work made of Rectangular / Square M.S. Tube. Epoxy Powder Coated Finish
- > Top made of perforated CRCA MS sheet.
- > Tubular Head & Foot Bows of unequal height.
- > Provision for four saline locations.
- > Legs fitted with PVC stumps.
- > Knockdown Construction.



HF640

HF641 : Specifications same as HF640 but, with 10cm dia heavy duty castors (2 with brakes)

ATTENDANT BED

HF398

Specifications/Details :

- > Size: 180L x 60W x 46H cms.
- > Frame work made of rectangular / square M.S. Tube.
- > Epoxy Powder Coated Finish
- > 5 Cm Foam Padded top covered with rexine.
- > Legs fitted with PVC stumps.
- > Knockdown Construction.



HF398

* CRCA : Cold Rolled Closed Annealed * M.S. : Mild Steel

BABY BASSINET DELUXE (With poly crib)



HF504



HF506

Specifications/Details :

HF504

- > Frame work made of ERW tubular pipe of 2.5 cms. dia. Mounted on four 5 cms dia. castors.
- > Removable CRIB of poly glass tiltable to trendelenburg and R-trend positions.
- > Laminated bottom shelf with a spacious cabinet for storage.
- > Provision for monitor stand and drip rod available.
- > Pre-treated and epoxy powder coated.

HF506 : Specifications same as HF504 but, without laminated bottom shelf and cabinet.

Baby Cradle - Swinging Type

HF500

- > Size : 36 x 15W x 39H inches.
- > Height upto CRIB top 98 cms.
- > Stand made of ERW tubular pipe with hanging hooks mounted on rubber shoes.
- > CRIB made of steel bars/strips.
- > Pre-treated and epoxy powder coated.



PEDIATRIC BED (With side railings)

Specifications/Details :

- > Frame work of rectangular CRC material.
- > Mounted on four 10 cms. dia castors (2 with brakes).
- > Drop side, safety railing at both side.
- > Pre-treated and epoxy powder coated finish.
- > Knockdown construction.

Size : 100(L) x 50(W) x 100(H) cms.

HF509 : Without trendelenburg / reverse trendelenburg positions.

HF510 : With trendelenburg / reverse trendelenburg positions.



HF509

Size : 130(L) x 65(W) x 100(H) cms.

HF512 : Without trendelenburg / reverse trendelenburg positions.

HF515 : With trendelenburg / reverse trendelenburg positions.



HF510

Note: Mattresses for Hospital Beds available on request at extra cost. Please specify the required sizes.



BEDSIDE LOCKER STD. HOSPITAL MODEL

Specifications/Details : **HF421**

- > Overall size : 40L x 40W x 82H cms.
- > Machine pressed sheet box with door of heavy guage.
- > Assembled to CRC tubular legs of 2.5 cms. dia fitted with PVC stumps.
- > Stainless steel polished top of 22G.
- > Pre-treated and epoxy powder coated.

BEDSIDE LOCKER - DELUXE

Specifications/Details : **HF423**

- > Overall size : 40L x 40W x 82H cms.
- > Complete locker box made of 22G CRC machine pressed sheet closed from three sides and a suitable drawer for extra storage.
- > Stainless steel top of 22G in matt finish.
- > Complete locker mounted on two PVC Stumps in front and two 5 cms. dia castors at the back for easy moving.
- > Pre-treated and epoxy powder coated finish.

BEDSIDE TABLE (Adjustable with geared handle)

BEDSIDE TABLE (Adjustable)



Specifications/Details : **HF429**

- > Table base and frame work made of strong rectangular / square steel tubes mounted on four 5 cms dia. castors.
- > Overall size of laminated top : 76L x 40W cms. adjustable by gear handle.
- > Pre-treated and epoxy powder coated.
- > Knockdown construction.

Specifications/Details : **HF430**

- > Table base and frame work made of strong rectangular / square steel tubes mounted on four 5 cms dia. castors.
- > Overall size of laminated top : 76L x 40W cms. Adjustable by side knob.
- > Pre-treated and epoxy powder coated.
- > Knockdown construction.



HF447



HF446

BEDSIDE SCREEN REGULAR

Specifications/Details :

- > Size : 168H x 244W cms.
- > Frame work made of ERW tubular pipe.
- > Supplied with spring wire and curtains.
- > Pre-treated and epoxy powder coated.
- > Knockdown construction.

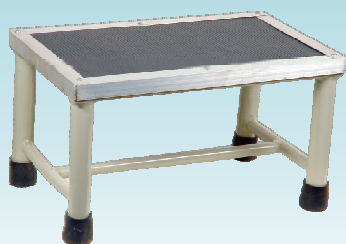
HF446

BEDSIDE SCREEN - 4 Folds

HF447

BEDSIDE SCREEN - 3 Folds

FOOT STOOL (Single step)



HF580

Specifications/Details :

HF580

- > Size : 51L x 30W x 23H cms.
- > ERW steel tubular frame work mounted on PVC shoes.
- > Top fixed with antistatic rubber mat surrounded by aluminium angle frame.
- > Pre-treated and epoxy powder coated.

FOOT STOOL (Double step)



HF586

Specifications/Details :

HF586

- > Size : 51L x 30W x 23/45H cms.
- > ERW steel tubular frame work mounted on PVC shoes.
- > Both step fixed with rubber mat surrounded by aluminium angle frame.
- > Pre-treated and epoxy powder coated.



HF495

PATIENT CHART HOLDER

Size 9"x13", Double hinges with cover and fitted with three steel springs.

HF495 : Made of Aluminum 18 gauge sheet, Anodised.
HF495S : Made of Stainless Steel 24 gauge sheet

SOILED LINEN TROLLEY



HF460

Specifications/Details :

HF460

- > Soiled linen trolley with canvas bag (91H x 51 cm dia.).
- > Frame work of CRC tube mounted on 10cms castors.
- > Superior quality canvas bag.
- > Pre-treated and epoxy powder coated finish.
- > Knockdown construction.

REVOLVING STOOL (With gas pump)



HF757

Specifications/Details :

- > Revolving Stool, Height adjustable with gas pump(gas spring), with 5 castors.
- > Knockdown construction.

HF756 : With stainless steel top.
HF757 : With upholstered top.

REVOLVING STOOL (Screw mechanism)



HF750

Specifications/Details :

- > Revolving Stool, Height adjustable with screw mechanism with 5 castors.
- > Knockdown construction.

HF750 : With stainless steel top.
HF753 : With upholstered top.

CYLINDER TROLLEY



HF730B

Specifications/Details :

- > Tubular frame work on two 10 cms castors.
- > M.S. Sheet base plate.
- > Pre-treated and epoxy powder coated finish.

HF730A : For D type Cylinder (Big Cylinder)
HF730B : For B type Cylinder (Small Cylinder)

Saline Stand/IV Stand (Economy)



Specifications/Details :

HF565

- > M.S. tubular pipe.
- > Five legged heavy polypropylene base mounted on 5 cms castors.
- > Double hook S.S. adjustable IV rod with a bakelite knob.
- > Pre-treated and epoxy powder coated.
- > Knockdown construction.

HF566 : Specifications same as HF565 but, with S.S. tubular pipe.

DOCTOR'S CHAIR



Specifications/Details :

HF705

- > M.S. tubular frame with heavy polypropylene base mounted on 5 cms dia castors.
- > Cushioned seat and back.
- > Pneumatic height adjustable.
- > Pre-treated and epoxy powder coated.
- > Knockdown construction.

BOWL STAND (Single)



Specifications/Details :

HF715

- > ERW steel tubular pipe construction mounted on heavy polypropylene base with castors.
- > Pre-treated and epoxy powder coated.
- > Supplied complete with S.S. basin of 35 cm. dia.
- > Knockdown construction.

HF718 : Specifications same as HF715 but, with S.S. tubular pipe.

BOWL STAND (Double)



Specifications/Details :

HF720

- > ERW steel tubular pipe construction mounted on heavy polypropylene base with castors.
- > Pre-treated and epoxy powder coated.
- > Supplied complete with S.S. basin of 35 cm. dia.
- > Knockdown construction.

HF723 : Specifications same as HF720 but, with S.S. tubular pipe.

BOWL STAND (Single)



HF716

Specifications/Details : **HF716**

- > ERW steel tubular pipe construction mounted on heavy polypropylene base with castors.
- > Pre-treated and epoxy powder coated.
- > Supplied complete with S.S. basin of 35 cm. dia.
- > Knockdown construction.

HF719 : Specifications same as HF716 but, with S.S. tubular pipe.

BOWL STAND (Double)



HF727

Specifications/Details : **HF727**

- > ERW steel tubular pipe construction mounted on heavy polypropylene base with castors.
- > Pre-treated and epoxy powder coated.
- > Supplied complete with S.S. basin of 35 cm. dia.
- > Knockdown construction.

HF722 : Specifications same as HF727 but, with S.S. tubular pipe.

MAYO TYPE TROLLEY **HF090**

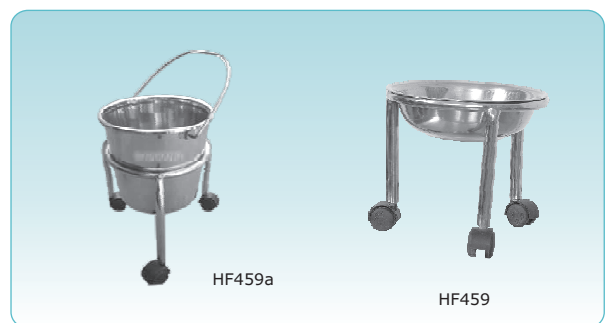


HF095

Specifications/Details :

- > Rectangular CRC tubes mounted on 5cms castors, height adjustable by side knob.
- > Height adjustable approx. 800 to 1200H mm.
- > Supplied with Mayo tray, stainless steel, size:560Lx400Wx20H mm.
- > Pre-treated and epoxy powder coated finish.
- > Knockdown construction.

HF095 : Specifications same as HF090 but completely made of stainless steel.



HF459a

HF459

KICK BASIN **HF459**

Specifications/Details :

- > Stainless steel pipe construction mounted on three 10 cms. dia. castors.
- > Supplied with one 35 cms. dia. S.S. Basin.

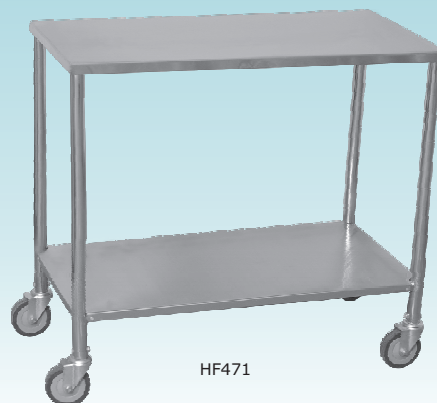
KICK BUCKET **HF459a**

Specifications/Details :

- > Stainless steel pipe construction mounted on three 10 cms. dia. castors.
- > Supplied with one stainless steel bucket.



HF470



HF471

INSTRUMENT TROLLEY - All stainless steel

Specifications/Details :

- > Frame work made of stainless steel tubular pipe of 2.5 cms. dia. mounted on four 7.5 cms. dia. castors.
- > Two fixed S.S.shelves of heavy gauge.
- > Knockdown construction.

Size : 68L x 45W x 82H cms.
HF470 : With railing.
HF471 : Without railing.

Size : 76L x 45W x 82H cms.
HF472 : With railing.
HF473 : Without railing.

INSTRUMENT TROLLEY

Specifications/Details :

- > Frame work made of ERW tubular pipe mounted on four 7.5 cms. dia. castors.
- > Two fixed stainless steel shelves of heavy gauge.
- > Pre-treated and epoxy powder coated.
- > Knockdown construction.

Size : 68L x 45W x 82H cms.
HF464 : With railing.
HF465 : Without railing.

Size : 76L x 45W x 82H cms.
HF466 : With railing.
HF467 : Without railing.

Size : 91L x 45W x 82H cms.
HF468 : With railing.
HF469 : Without railing.

Note: Instrument trolley with 3 shelves can be made on request.

DRESSING TROLLEY

HF478



HF478

DRESSING TROLLEY - Stainless steel

HF478a



HF478a

Specifications/Details :

- > Size : 76L x 51W x 82H cms.
- > Frame work made of ERW tubular pipe of 31mm dia. mounted on four 10 cms. dia castors.
- > Two fixed type S.S. Heavy gauge shelves.
- > Supplied complete with bucket and basin.
- > Pre-treated and epoxy powder coated.
- > Knockdown construction.

Specifications/Details :

- > Size : 76L x 51W x 82H cms.
- > Frame work made of Stainless steel mounted on four 10 cms. dia castors.
- > Two fixed type S.S. heavy gauge shelves.
- > Completely supplied with bucket and basin.
- > Knockdown construction.

EXAMINATION TABLE - DISMANTLED (With accessories)

HF010

Specifications/Details :

- > Examination table, 2 sections, adjustable head section with ratchet mechanism to varying position. Legs mounted on rubber tips.
- > Size : Table assembled : Approx. 1800L x 550W x 800H mm.
- > Tubes: Approx. dia. 30 x 1.5 mm.
- > Material : Resistant to corrosion (suitable for tropical environment) and decontamination (chlorine solution).
- > Frame: Epoxy coated tubular steel.
- > Mattress-pad : Foam density approx. 21 - 25 kg / m³.
- > Fixed mattress-pad : Approx. 30H mm.
- > Carrying capacity: Approx. 150 - 180 kg.
- > Supports for leg holders with solid mechanism to fix leg holders at requested height and width.
- > Knockdown construction.



HF010

EXAMINATION TABLE

HF051



HF051

Specifications/Details :

- > Examination table, 2 sections, adjustable head section with lever mechanism to varying position. Legs mounted on rubber tips.
- > Size : Table assembled : Approx. 1800L x 550W x 800H mm.
- > Framework made of mild steel epoxy coated finish with upholstered top.
- > Carrying capacity : Approx. 150 - 180 kg.
- > Knockdown construction.

EXAMINATION TABLE

HF055E

Specifications/Details :

- > Examination table, 3 sections, with adjustable head and leg section with lever mechanism to varying position. Legs mounted on rubber tips.
- > Size : Table assembled: Approx. 1800L x 550W x 800H mm.
- > Framework made of mild steel epoxy coated finish with upholstered top.
- > Carrying capacity: Approx. 150 - 180 kg.
- > Knockdown construction.



HF055E

□ DELIVERY TABLES



LABOUR & DELIVERY BED (With accessories)

HF001

Specifications/Details :

- > Made in 2 sections, body section with legs mounted on rubber tips, legs section on swivel castors with brakes. Leg section can be completely recessed under the body section.
- > Size : Body section: 1000(L) x 800(W) x 750(H)mm. Leg section: 900(L) x 800(W) x 750(H)mm.
- > Supports for leg holders with solid mechanism to fix leg holders at required height and width.
- > Mattress-pad 2 sections.
- > Supplied with 2 legs holders with canvas straps OR 2 knee crutches (as desired) adjustable in height and width.
- > Epoxy coated tubular steel frame.
- > Mattress-pad density : 21-25 kg/m³.
- > Carrying capacity: 150 - 180 kg.
- > Mattress-pad: Approx. 60(H)mm.
- > Supplied with S.S. bowl.
- > Knockdown construction.



GYNECOLOGY TABLE - DISMANTLED (With accessories)

HF015



Specifications/Details :

- > Made in 3 sections, adjustable back rest and leg section with lever mechanism to varying positions, capable of tilting for obstetric and gynecological use. Legs mounted on rubber tips.
- > Size : Table 1800L x 600W x 800H mm. Tubes : 30 x 1.5 mm.
- > Supports for leg holders with solid mechanism to fix leg holders at required height and width.
- > Support ring at proximity of seat section to support round basin-bowl.
- > Supplied with 2 leg holders with canvas straps adjustable in height and width.
- > Epoxy coated tubular steel frame.
- > Tubes : 30 x 1.5 mm.
- > Mattress-pad : density : 21 - 25 kg/m³.
- > Carrying capacity : 150-180 kg.
- > Mattress-pad : 30H mm.
- > Knockdown construction.
- > Supplied with 4 liter S.S. Bowl.

Note : Available with knee crutches on request.

DELIVERY BED

HF035E

Specifications/Details :

- > Size : 1800L x 550W x 800H mm.
- > Adjustable back rest and leg section with lever mechanism to varying positions, capable of tilting for obstetric and gynecological use. Legs mounted on rubber tips.
- > Supports for leg holders with solid mechanism to fix leg holders at required height and width.
- > Supplied with 2 knee crutches, adjustable in height and width.
- > Framework made of mild steel epoxy coated finish with upholstered top.
- > Supplied with S.S. bowl.
- > Knockdown construction.

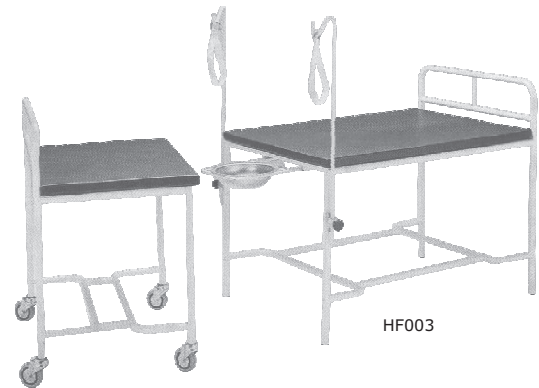


LABOUR & DELIVERY BED (With accessories)

HF003

Specifications/Details :

- > Made in 2 sections, body section with legs mounted on rubber tips, legs section on swivel castors with brakes.
- > Size - Body section: 1000L x 800W x 750H mm. Leg. Section: 900L x 800W x 750H mm.
- > Supports for leg holders with solid mechanism to fix leg holders at required height and width.
- > Supplied with 2 legs holders with canvas straps OR 2 knee crutches (as desired) adjustable in height and width.
- > Epoxy coated tubular steel frame.
- > Carrying capacity: 150 - 180 kg.
- > Supplied with S.S. bowl.
- > Knockdown construction.

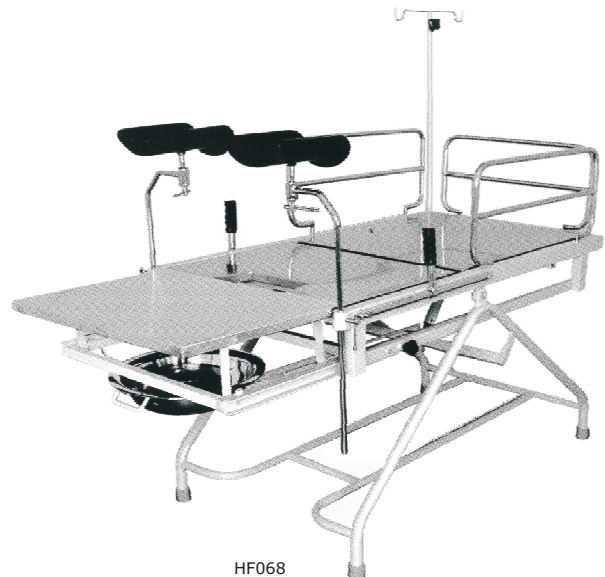


DELIVERY TABLE TELESCOPIC (Fixed Height)

HF068

Specifications/Details :

- > Size : 182L x 68W x 76H cms.
- > Frame work made of MS Tube. Pretreated & Epoxy powder coated finish
- > 3 Section Top made of Stainless Steel Sheet.
- > Legs mounted on PVC stumps
- > Trendlenburg positions adjustable by pneumatic gas spring system.
- > Backrest section adjustable on ratchet.
- > Leg end section can slide under the main section
- > Height adjustable pair of foam padded knee crutches.
- > Removable Safety Side railing provided on 3 side of Table.
- > Supplied with waste collecting Stainless Steel Bowl on S.S. Bracket and one Stainless Steel IV Rod.



HF069 : Specifications same as HF068 but, with Stainless Steel Frame Work and Stainless Steel Top

DELIVERY TABLE TELESCOPIC (Adjustable Height)

HF071



Specifications/Details :

- > Size : 182L x 68W x 60-80H cms.
- > Tubular frame work mounted on swiveling castors. Pre treated & Epoxy powder coated finish.
- > 3 Section Top made of Stainless Steel Sheet.
- > Trendlenburg positions adjustable by pneumatic gas spring system.
- > Hydraulically Height adjustable by foot paddle from side.
- > Backrest section adjustable on ratchet.
- > Leg end section can slide under the main section
- > Height adjustable pair of foam padded knee crutches.
- > Removable Safety Side railing provided on 3 side of Table.
- > Supplied with waste collecting Stainless Steel Bowl on S.S. Bracket and one Stainless Steel IV Rod.

HF072 : Specifications same as HF071 but, with Stainless Steel Frame Work and Stainless Steel Top

□ DELIVERY TABLES & TROLLEY



LABOUR TABLE / DELIVERY BED

HF080E



HF080E

Specifications/Details :

- > Made in 3 sections with independent controls and trendelburg position.
- > Adjustable back rest and leg section with mechanism to varying positions, capable of tilting for obstetric and gynecological use.
- > Size of assembled table : Approx. 1800L x 550W x 800H mm.
- > Framework made of mild steel epoxy coated finish with upholstered top.
- > Supplied completely with S.S. bowl and two standard padded leg holders.
- > Knockdown construction.

STRETCHER ON TROLLEY

HF480

Specifications/Details :

- > Size : 210L x 56W x 82H cms.
- > Frame work made of ERW tubular pipe of 31 mm. dia mounted on four 15 cms. dia. castors (2 with brakes).
- > Removable stretcher top made of S.S. Sheet pressed on tubular frame.
- > Brackets on alternate ends for IV drip rod.
- > Knockdown construction.

HF480a : Specifications same as HF480 but, with removable stretcher top made of CRC sheet pressed on epoxy coated tubular frame.



HF480A

PATIENT TROLLEY - Fixed top

HF481

Specifications/Details :

- > Size : 180L x 55W x 80H cms.
- > Frame work made of ERW tubular & rectangular pipes mounted on four 12.5 cms. dia. castors (2 with brakes).
- > Brackets on alternate ends for IV drip rod.
- > Supplied completely with side railings and I.V. stand.
- > Made of chrome plated steel.
- > Knockdown construction.

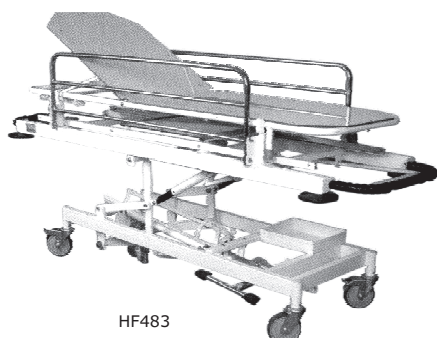
HF482 : Specifications same as HF481 but, with removable top.



HF481

EMERGENCY & RECOVERY TROLLEY

HF483



HF483

Specifications/Details :

- > Size: 210L x 65W x 65-95H cm. Height adjusted by foot operated hydraulic pump from 65 cm to 95 cm
- > Frame work made of ERW tubular/ rectangular pipes mounted on heavy duty castors of 15 cm Dia (two with brakes)
- > Gas spring assisted Trendelenburg/Reverse Trendelenburg positions.
- > X-Ray Translucent removable Stretcher, backrest raised on ratchet.
- > Complete with corner buffers, synthetic rubber covered handles, sliding X-ray cassette, accessories tray, oxygen cylinder holder.
- > Telescopic saline stand with Stainless Steel drip rod.
- > Swingway Stainless Steel side rails.

HF5000I STRETCHER SINGLE FOLD WITH TWO WHEELS



Standard Features:

- > Light Weight, easy clean, anodized aluminium alloy framework with 2 wheels.
- > Washable, water proof & anti-fungus fabric top with safety belts.
- > Unfolded Size (LxWxH): 185x52x23cm.,
Folded Size (LxWxH): 93x52x10cm.
- > Self-weight: 5 kg, Load Bearing: 159 kg.

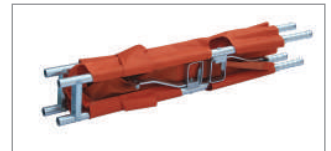


HF5049I STRETCHER DOUBLE FOLD



Standard Features:

- > Light Weight, easy clean, anodized aluminium alloy framework.
- > Washable, water proof & anti-fungus fabric top with safety belts.
- > Unfolded Size (LxWxH): 215x54x15cm,
Folded Size (LxWxH): 108x17x9cm.
- > Self-weight: 5 kg, Load Bearing: 159 kg.
- > Supplied with carry bag.



HF5056I STRETCHER 4 FOLD



Standard Features:

- > Light Weight, easy clean, anodized aluminium alloy framework.
- > Washable, water proof & anti-fungus fabric top with safety belts.
- > Unfolded Size (LxWxH): 215x55x14cm,
Folded Size (LxWxH): 56x22x20cm.
- > Self-weight: 8 kg, Load Bearing: 159 kg.
- > Supplied with carry bag.



HF5148I SCOOP STRETCHER YELLOW

Standard Features:

- > Designed for fractured and immobile serious patients.
- > Light Weight, easy clean, anodized aluminium alloy framework with safety belts.
- > Size (LxWxH): Max. unfolded Size (LxWxH): 214x42x7cm, Min. unfolded Size (LxWxH): 167x42x7cm.
- > Detachable and folding. This Scoop stretcher can be used with head immobilizer.
- > Length of stretcher adjustable according to patient's body.
- > The foot-end is designed as a narrow-frame structure .
- > Self-weight: 8 kg, Load Bearing: 159 kg.

